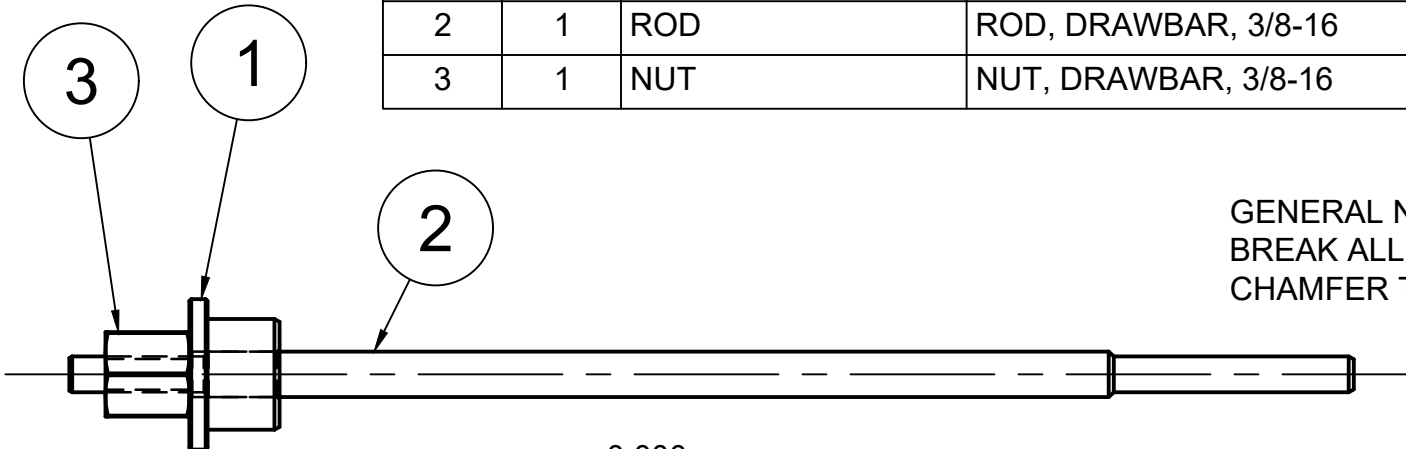
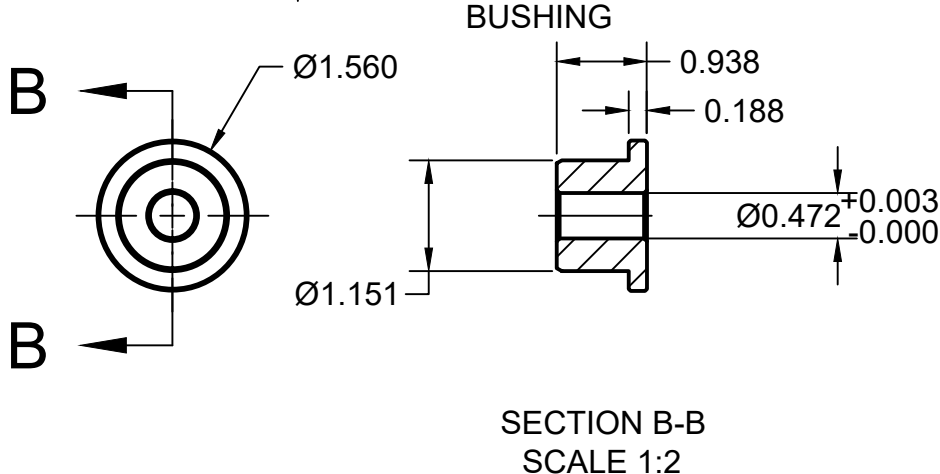
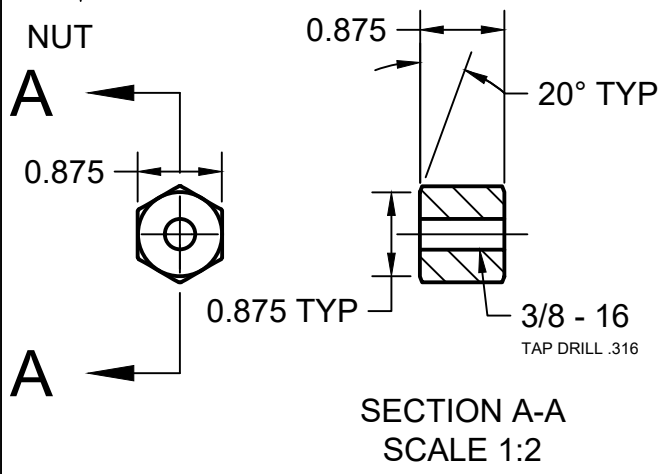
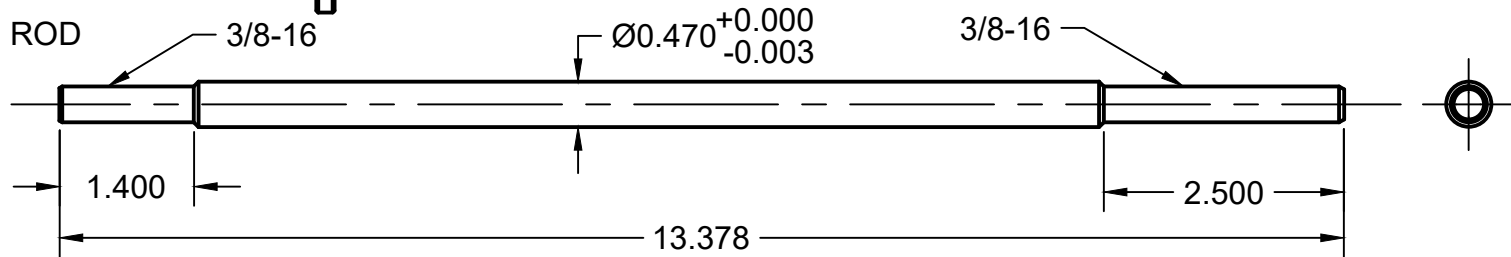


PARTS LIST				
ITEM	QTY	PART NUMBER	DESCRIPTION	MATERIAL
1	1	BUSHING	BUSHING, DRAWBAR	STEEL
2	1	ROD	ROD, DRAWBAR, 3/8-16	STEEL
3	1	NUT	NUT, DRAWBAR, 3/8-16	STEEL



GENERAL NOTES:
 BREAK ALL EDGES .02 x 45°
 CHAMFER THREADS TO MINOR Ø



2017-01-19
 REV 01
 CC BY-NC <https://creativecommons.org/licenses/by-nc/2.0/>

www.thecogwheel.net