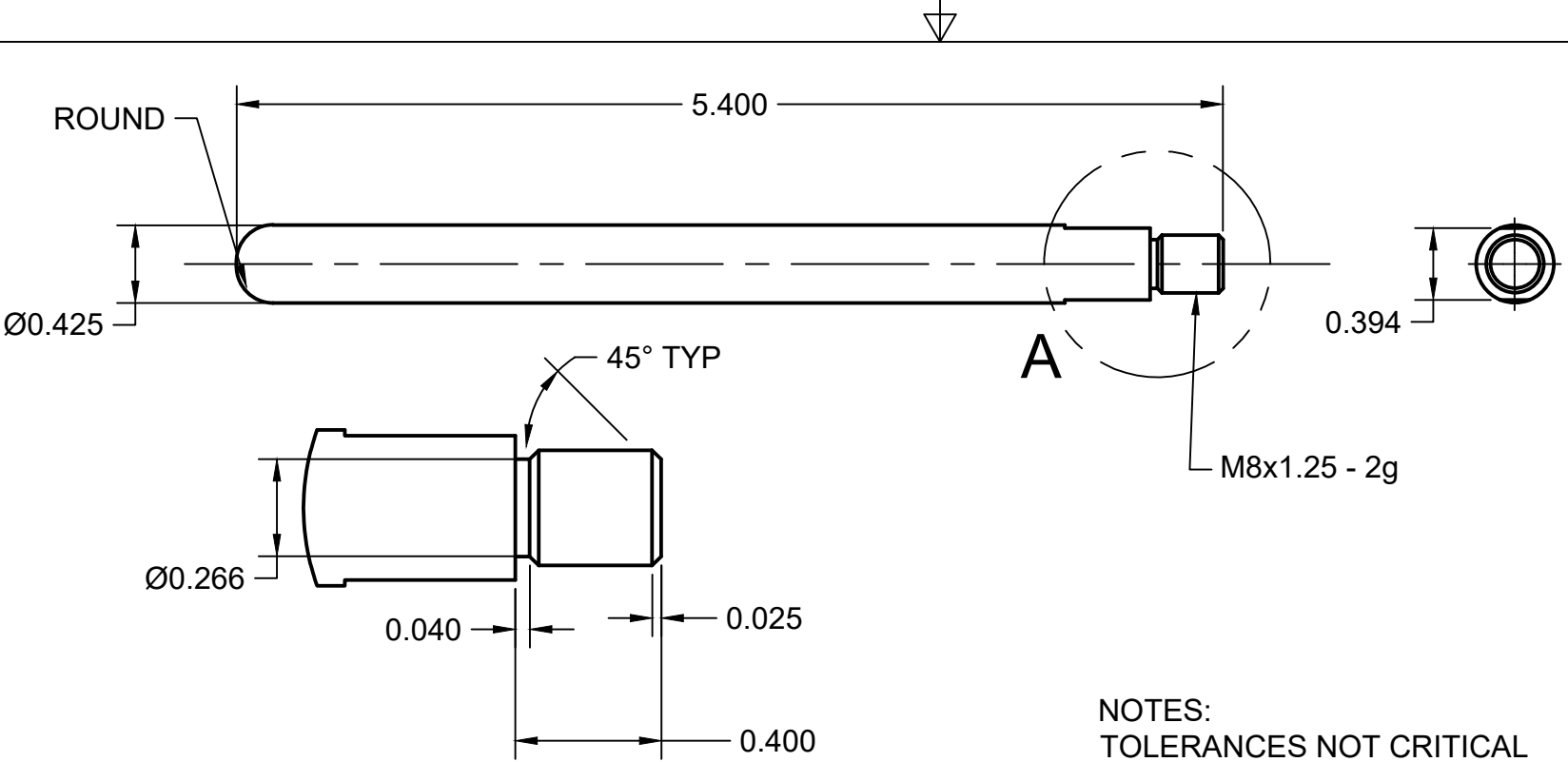


REV 01
2016-12-29



NOTES:
TOLERANCES NOT CRITICAL
MODIFY DIMENSIONS TO SUIT

DETAIL A
SCALE 2:1

GENERAL NOTES:
DRAWING SCALE: 1:1
MATERIAL: COLD DRAWN STEEL

www.thecogwheel.net

CC BY-NC <https://creativecommons.org/licenses/by-nc/2.0/>