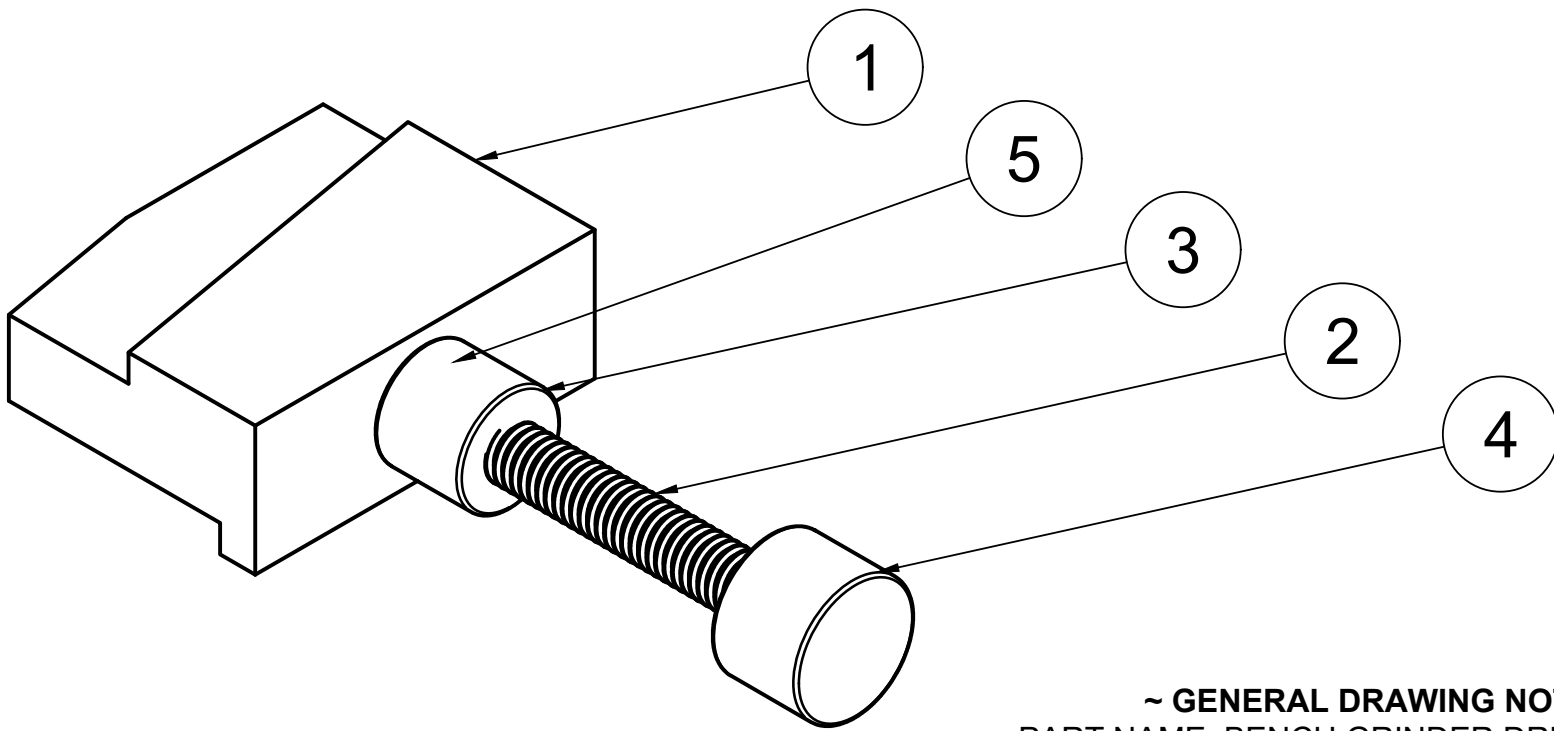


PARTS LIST				
ITEM	QTY	PART NUMBER	DESCRIPTION	MATERIAL
1	1	BODY	CRS 2 "X 1" X 2 1/2"	STEEL
2	1	DIAMOND	3/8" X 6"	STEEL
3	1	LOCK NUT	3/4" OD X 5/8"	BRASS
4	1	HANDLE NUT	7/8" OD X 5/8"	BRASS
5	1	O-RING	AS568-012 3/8" ID X 1/2" OD 70 DURO	RUBBER, NITRILE



~ GENERAL DRAWING NOTES ~
 PART NAME: BENCH GRINDER DRESSING TOOL
 SCALE 1:1
 UNITS ARE IN INCHES
 THIRD ANGLE PROJECTION
 MATERIAL: PER TABLE
 ADJUST TOLERANCES AND DIMENSIONS TO SUIT

2018-03-21
 REV 01
 CC BY-NC <https://creativecommons.org/licenses/by-nc/2.0/>

www.thecogwheel.net