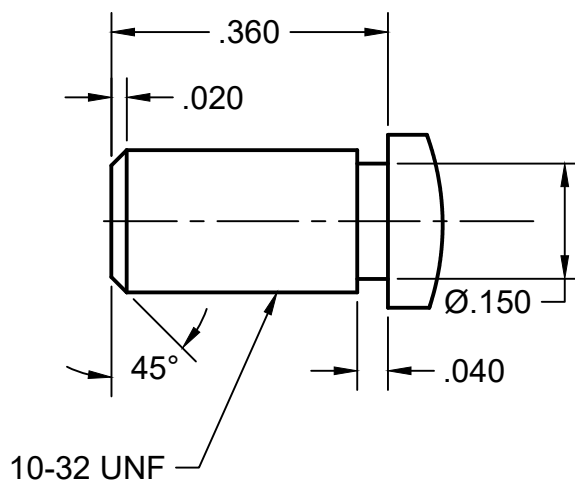


HARDENING NOTES:
 HARDEN TO Rc 60
 TEMPER 400°F FOR 2 HOURS



DETAIL A
 SCALE 4:1

~ GENERAL DRAWING NOTES ~

PART NAME: AXLE

SCALE 2:1

UNITS ARE IN INCHES

THIRD ANGLE PROJECTION

MATERIAL: O1

ADJUST TOLERANCES AND DIMENSIONS TO SUIT

www.thecogwheel.net

2018-03-21

REV 01

CC BY-NC

<https://creativecommons.org/licenses/by-nc/2.0/>