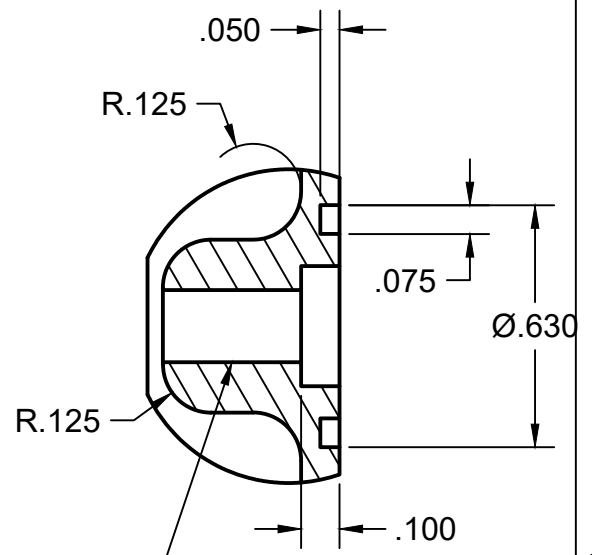
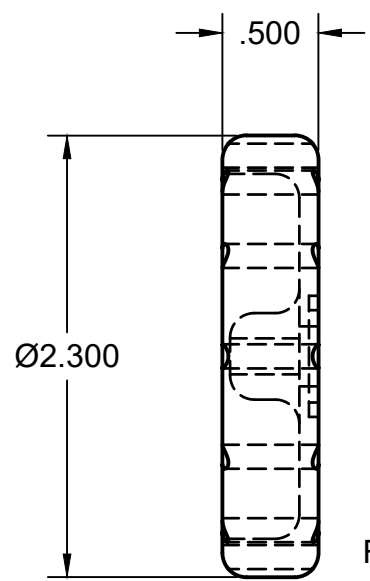


Ø.125 12 PLCS
PRESS BRASS RODS
IN PLACE AND FORM
RADIUS



DETAIL B
SCALE 2:1

ADJUST O-RING GROOVE FOR
YO-YO RESPONSE. A LARGE
O-RING WILL MAKE THE YO-YO
RETURN TO THE HAND EASIER.

~ GENERAL DRAWING NOTES ~

PART NAME: BODY

SCALE 1:1

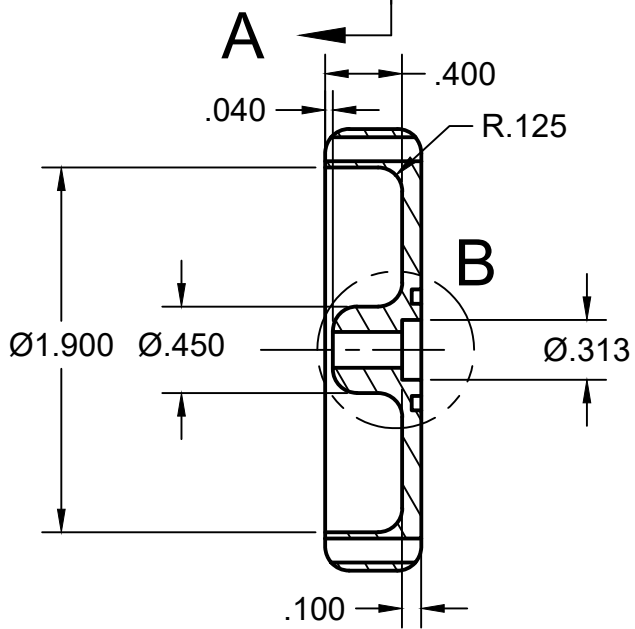
UNITS ARE IN INCHES

THIRD ANGLE PROJECTION

MATERIAL: 6061-T6

ADJUST TOLERANCES AND DIMENSIONS TO SUIT

www.thecogwheel.net



SECTION A-A
SCALE 1:1

2018-03-21

REV 01

CC BY-NC <https://creativecommons.org/licenses/by-nc/2.0/>