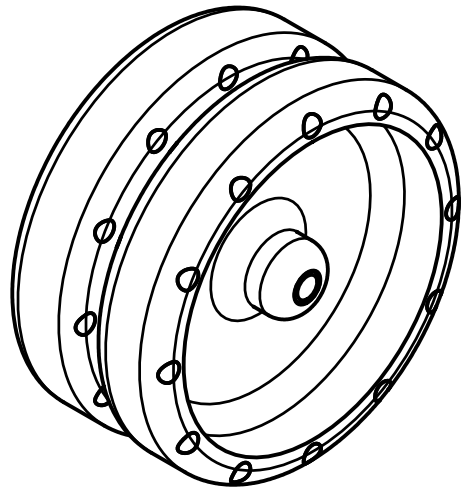




PARTS LIST

ITEM	QTY	DESCRIPTION	MATERIAL
1	2	BODY	6061-T6
2	24	BRASS PIN	C36000
3	1	AXLE	O1 TS
4	1	BEARING	UHMW
5	2	O-RING	NITRILE 70



*SIZE O-RING AND ASSOCIATED GROOVE TO DESIRED RESPONSE

~ GENERAL DRAWING NOTES ~

PART NAME: BUSHING

SCALE 1:1

UNITS ARE IN INCHES

THIRD ANGLE PROJECTION

ADJUST TOLERANCES AND DIMENSIONS TO SUIT

2018-03-21

REV 01

CC BY-NC

<https://creativecommons.org/licenses/by-nc/2.0/>

