

PARTS LIST		
ITEM	QTY	PART NUMBER
1	1	BODY
2	1	CLAMP
3	1	CLAMPING SCREW
4	1	CLAMP HANDLE
5	2	CLAMP ROD CAP
6	1	STOP ROD
7	1	STOP ROD PIN
8	1	STOP ROD SCREW
9	1	STOP ROD HANDLE
10	2	STOP ROD HANDLE CAP
11	1	STOP ROD CAP

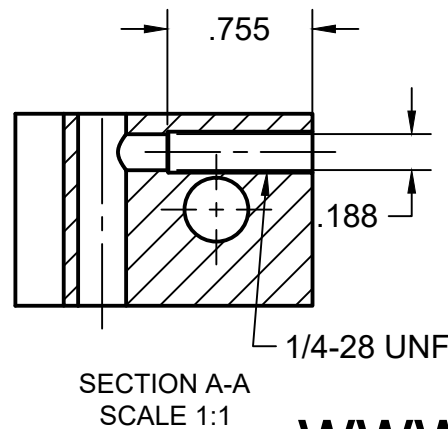
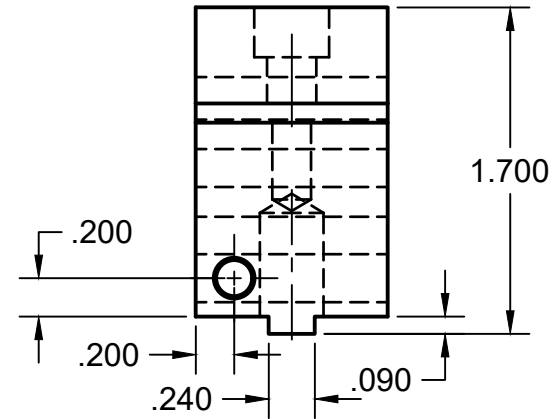
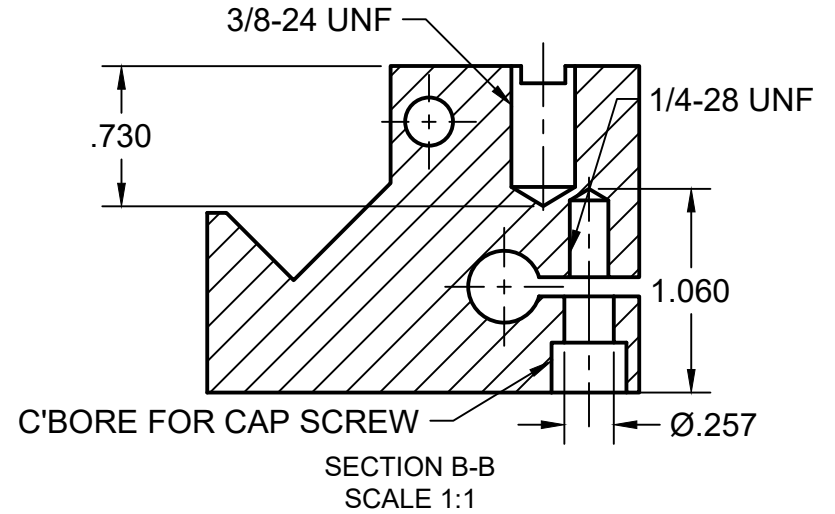
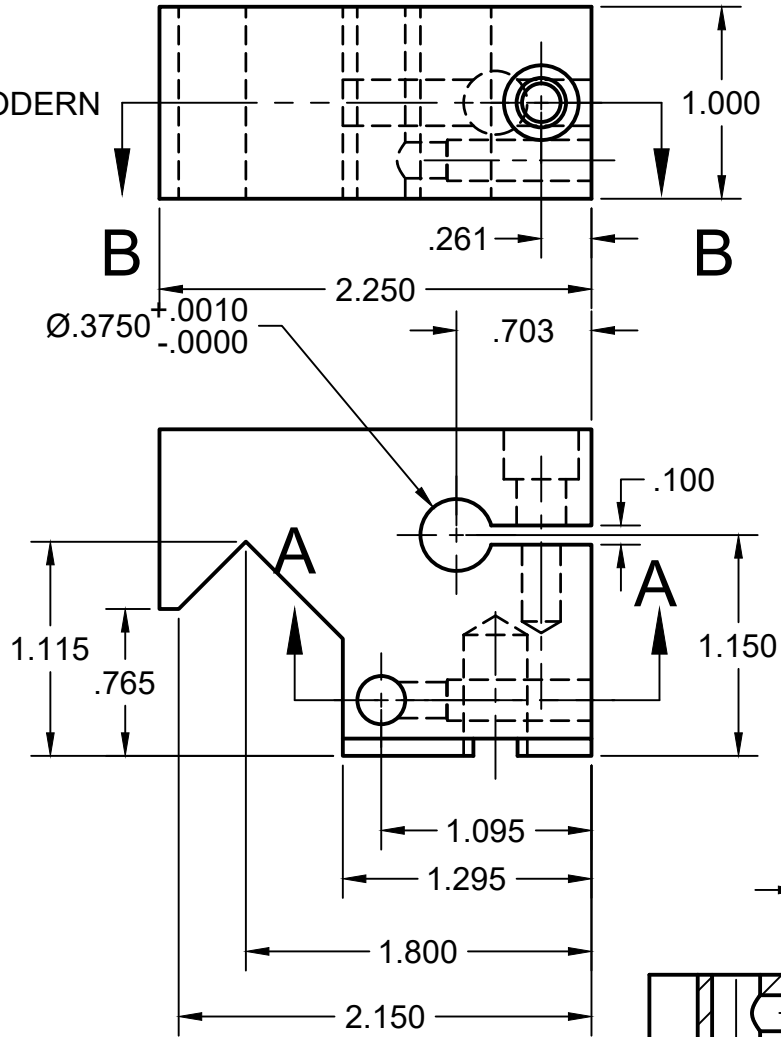
~ **GENERAL DRAWING NOTES** ~
 PART NAME: INDICATOR STOP
 SCALE 1:1
 UNITS ARE IN INCHES
 THIRD ANGLE PROJECTION
 ADJUST TOLERANCES AND DIMENSIONS
 TO SUIT
 FITS STANDARD MODERN 12" UTILATHE
 - ADJUST AS REQUIRED

2019-04-03
 REV 01
 CC BY-NC <https://creativecommons.org/licenses/by-nc/2.0/>

www.thecogwheel.net

PART NAME: **BODY**
MATERIAL: 1018 HRS / 4140 HT
SCALE 1:1

NOTE:
PROFILE FITS
STANDARD MODERN
12" UTILATHE.
ADJUST AS
REQUIRED.



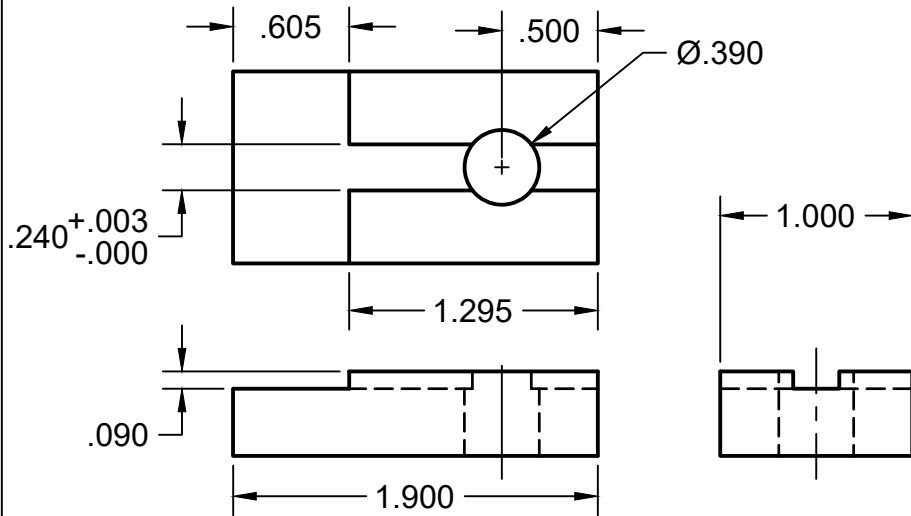
2019-04-03
REV 01
CC BY-NC <https://creativecommons.org/licenses/by-nc/2.0/>

www.thecogwheel.net

PART NAME: CLAMP

MATERIAL: 1018 HRS / 4140 HT

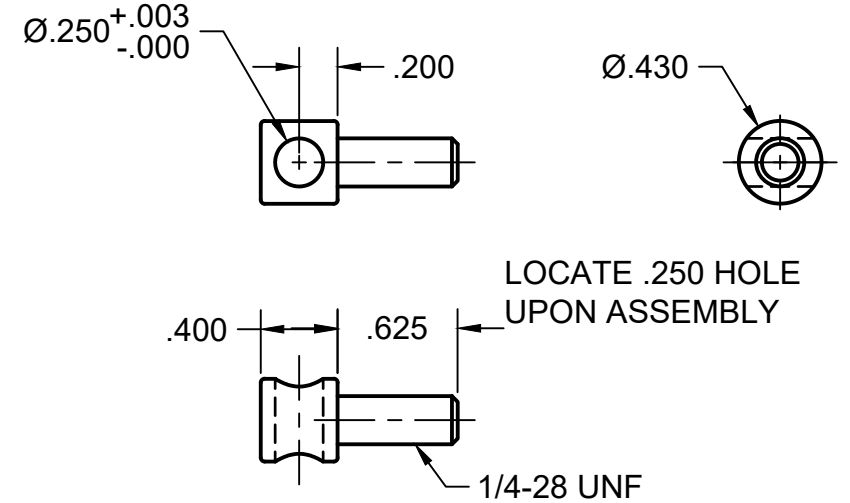
SCALE 1:1



PART NAME: STOP ROD SCREW

MATERIAL: 12L14 / 4140 HT

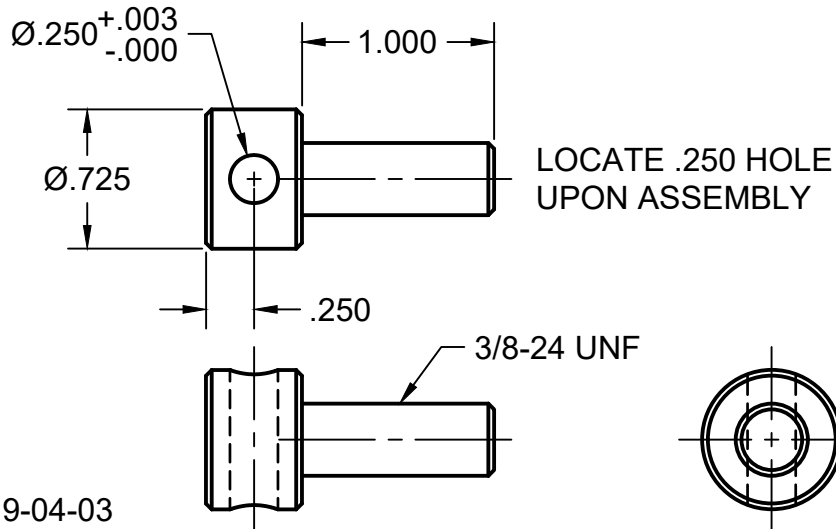
SCALE 1:1



PART NAME: CLAMP SCREW

MATERIAL: 12L14 / 4140 HT

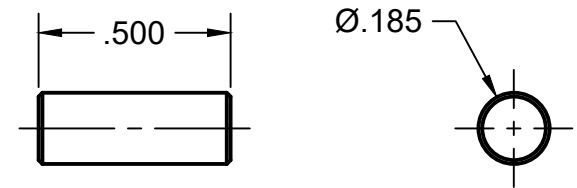
SCALE 1:1



PART NAME: STOP ROD PIN

MATERIAL: C36000 BRASS

SCALE 1:1

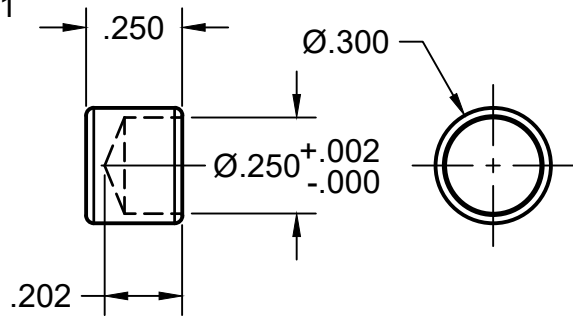


2019-04-03

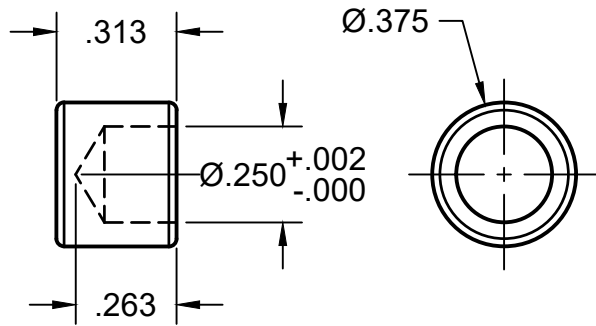
REV 01

CC BY-NC <https://creativecommons.org/licenses/by-nc/2.0/>

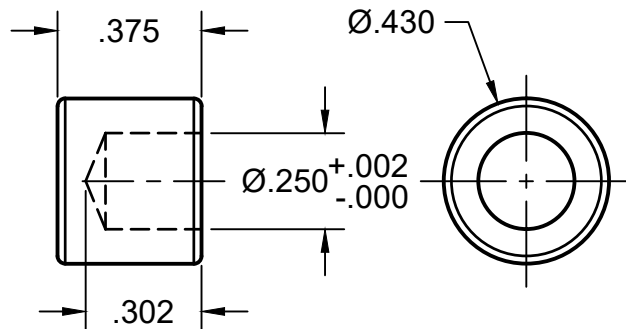
PART NAME: **STOP ROD HANDLE CAP** ~ 2 REQ'D
MATERIAL: C36000 BRASS
SCALE 2:1



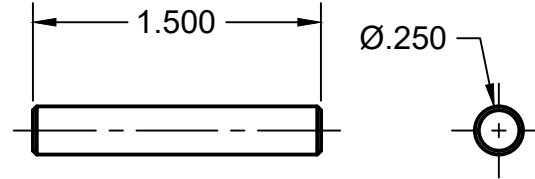
PART NAME: **CLAMP ROD CAP** ~ 2 REQ'D
MATERIAL: C36000 BRASS
SCALE 2:1



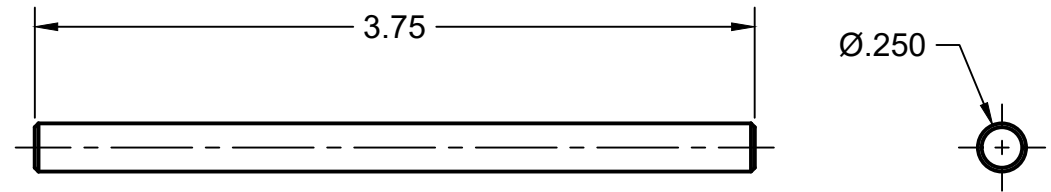
PART NAME: **STOP ROD CAP**
MATERIAL: C36000 BRASS
SCALE 2:1



PART NAME: **STOP ROD HANDLE**
MATERIAL: O1 DRILL ROD
SCALE 1:1



PART NAME: **CLAMP ROD**
MATERIAL: O1 DRILL ROD
SCALE 1:1



PART NAME: **STOP ROD**
MATERIAL: O1 DRILL ROD
SCALE 1:1

